



CHESNEYS

OUTDOOR LIVING

THE HEAT COLLECTION 2019



TRANSFORM THE WAY YOU LIVE OUTDOORS

With so many people spending more time and money on transforming their gardens to become an extension of the home, the only thing holding them back from enjoying their new space is the unreliability of the British weather. Not anymore.

The HEAT Collection is a great way to get outside more often, come rain or shine. Employing the innovative technology employed in our collection of indoor wood burning stoves, we have created five unique products which produce hardly any smoke, run on very little fuel and are a safe and effective way to live and entertain outdoors.

The Collection contains a heat only option as well as four dual-function products offering a great heating solution and a state of the art cooker and barbecue.

THE BEST OF BOTH WORLDS

Environmentally safe heating combined with a great cooking experience

CLEAN HEAT

Drawn from our indoor Stove expertise

- Single lever air control
- Fully sealed chamber
- Minimal smoke emissions
- Log Store base

QUALITY COOKING EXPERIENCE

Developed alongside renowned chef James Martin

- Fully rotatable grill for cooking different sizes and cuts of meat
- Removable grill for wok cooking
- Fully insulated lid with thermal rotation to reduce heat loss
- Variable cooking modes
- Self-Cleaning

WE'VE TURNED OUTDOOR HEATING INSIDE OUT

We have taken everything we know about indoor heating, outdoors.

The HEAT Collection will transform the way you live and extend your enjoyment of your outdoor space.

DUAL FUNCTION

The Heat & Grill and Gourmet Range are the first single appliances on the market to successfully combine an efficient outdoor heater with a barbecue, using innovative technology only seen in indoor wood burning stoves.

It is an entirely unique way to heat the outdoors and will enhance outdoor living. The supreme temperature control allows a variety of cooking options: low and slow to high heat wok.

EFFICIENT

The heat is delivered from a sealed chamber, meaning that the burn rate and heat output can be regulated by a simple control system. All products in the HEAT Collection are fitted with an air flow lever allowing ease of temperature control as well as reducing the need for more fuel at a time, than necessary.

ENVIRONMENT

The HEAT Collection of Heater Barbecues employs the same technology used in our range of indoor wood burning stoves and therefore only produce a clean burn, reducing harm to the environment as well as the user. Burning wood is a carbon neutral compared with gas patio heaters which emit significant volumes of carbon dioxide, contributing to climate change.

ATMOSPHERIC

Unlike other outdoor heaters and fire pits in particular, the HEAT Collection allows a generous but protected view

of the fire not only making it a highly atmospheric experience but reducing any need to move if the wind changes direction!

All emissions are sent up the flue, rather than covering everyone and everything in clouds of smoke – a first for an outdoor heater using wood. It is a safe way to enjoy an outdoor fire and due to the progressive technology, the glass will stay clean and the flames visible.

To find out more, visit chesneys.co.uk/outdoor or call 020 3177 4230



ORIGINS OF **HEAT**

FOR OVER 35 YEARS, CHESNEYS HAS BUILT A REPUTATION FOR BEAUTIFUL DESIGN, OUTSTANDING CRAFTSMANSHIP, INNOVATION AND PRODUCT DEVELOPMENT.

Whether it's our market leading marble and stone fireplaces, clean-burning, controllable stoves, exquisite architectural solutions or the new range of Outdoor heater barbecues, we always aim for the perfect blend of beauty, inside and out.



TAKING OUR EXPERTISE OUTDOORS



Chesneys has a reputation for excellence in interior design, born of a commitment to fine craftsmanship and integrity. But we have also always had an eye on the way our customers' lives are changing. It was in this context that we started to look outside, where we saw increasing amounts of money being spent on outdoor living but few, if any, high-quality and environmentally responsible solutions to outdoor heating and entertaining.



Our award-winning range of wood burning stoves not only look beautiful but also employ the very latest technology to deliver outstanding levels of efficiency, with minimal emissions. The entire collection is DEFRA exempt



and safe to use in any smoke controlled zones. We began to wonder whether we could transfer these high standards to an outdoor context.

And so, using our tried and tested technology, we set our sights on creating the first outdoor wood burning stove which could also work as a barbecue.

defra 

The first dual-function appliance of its type.

The resultant HEAT Collection is both effective and atmospheric, but most importantly with the same exacting standards, allowing people to heat and enjoy their outdoor spaces with no concerns about harming the environment.



CLEAN BURN

GET MORE FROM YOUR GARDEN, ALL YEAR ROUND

Clean Burn is an eco-friendly outdoor wood burning stove. Using the same advanced technology as our collection of indoor wood burning stoves, this outdoor heater emits a substantial amount of glowing heat, producing next to no smoke and runs on very little fuel.

Clean Burn is at the forefront of innovation for outdoor heating and will significantly increase the amount of time you spend in the fresh air, extending the enjoyment of your garden, terrace or balcony throughout the year. For those who already own a barbecue and love spending time outside but feel their plans are often dictated by the weather, this is the solution.



POLLUTING EMISSIONS AND INEFFICIENCIES ASSOCIATED WITH FIRE PITS AND PATIO HEATERS ARE SUBSTANTIALLY REDUCED WHEN USING A CHESNEYS OUTDOOR HEATER, CONTRIBUTING TO A CLEANER, HEALTHIER ENVIRONMENT.





To find out more, visit chesneys.co.uk/outdoor
or call 020 3177 4230

HEAT & GRILL

COOK, EAT AND RELAX OUTSIDE, WHENEVER YOU WANT

The Heat & Grill is a high performance dual-function heater barbecue which has been made for those who love nothing more than firing up the barbecue for a spontaneous outdoor feast or simply looking for ways to use their precious outdoor space more often.

The grill size is ideal for rustling up some sausages and burgers for a party of 6-8 using fine grade charcoal or popping a pizza stone on the grill, closing the lid and achieving perfectly cooked crisp pizza in minutes, over kiln dried logs. The elegant design will suit any exterior style and encourage you to get outside more, even if it is just to have a cup of coffee with the newspaper, on a sunny but cooler day.



EMPLOYING CHESNEYS' AWARD WINNING STOVE TECHNOLOGY, THE HEATER BARBECUES ALL DELIVER A BEAUTIFUL RADIANT HEAT AND A GREAT COOKING EXPERIENCE

To find out more, visit chesneys.co.uk/outdoor
or call 020 3177 4230



TERRACE GOURMET

TAKING OUTDOOR ENTERTAINING TO A WHOLE NEW LEVEL

The Terrace Gourmet is beautifully engineered with a smooth control system and attractive curved design guaranteed to enhance your garden or terrace. The large circular grill is big enough to cook for 8-10 people with any of six cooking methods: grilling, roasting, baking, smoking, wok cooking and wood fired pizza. The cylindrical Terrace Gourmet is designed to sit comfortably alongside your other garden products, fitting comfortably into a corner of your patio or garden enabling you to get the best use of your outdoor space.

If you are into serious cooking, love entertaining and value beautiful design, the Terrace Gourmet is the choice for you.



CHESNEYS CLEAN BURN TECHNOLOGY ENSURES THAT THE GLASS DOOR ALWAYS REMAINS CLEAR, SO THAT THE BEAUTY OF THE FIRE CAN BE ENJOYED AS THE SHADOWS LENGTHEN.



IF ENTERTAINING IS SOMETHING YOU LOVE DOING, THE HEAT GOURMET RANGE WILL COMPLETELY CHANGE THE WAY YOU HOST OUTDOORS

To find out more, visit chesneys.co.uk/outdoor or call 020 3177 4230



GARDEN GOURMET

ENTERTAIN MORE PEOPLE, MORE OFTEN

Sleek in design, highly durable and powerful in heat, the Garden Gourmet offers luxurious outdoor cooking on a bigger scale, for those natural born entertainers. Large enough to cook for 10-12 people, it can be used to slow cook a huge 4-rib roast on a low temperature which will stay tender due to the fully sealed lid, or brought up to temperature to bake a batch of perfectly fudgy brownies.

The generous sized chamber provides sufficient heat for pre-drinks and enables the alfresco party to continue long into the evening. With mesmerising views of the flickering flames, and a comforting glow as the daylight starts to fade, the Garden Gourmet is incredibly efficient and requires minimum fuel for maximum impact.



THE HEATER BARBECUE
WILL CREATE A
MICRO CLIMATE TO
KEEP YOU WARM
OUTSIDE, LONG AFTER
THE TEMPERATURE
HAS DROPPED

To find out more, visit chesneys.co.uk/outdoor
or call 020 3177 4230



GARDEN PARTY

PARTY LIKE ITS SUMMER, 12 MONTHS A YEAR

The Garden Party provides a gourmet experience of the highest quality for larger groups of your friends and family. This heater barbecue will suit those with extensive outdoor space who entertain on a large scale regularly and would relish being able to take the whole party outside, any time of year.

When it comes to cooking, the large grill size will easily cater for 12-15 people. There are six cooking methods to discover; so be it an impressive dish of smoked duck, slow roast lamb or even wok-fried prawn stir-fry, the Garden Party will make you the 'outdoor host with the most', throughout the year.



THE TEMPERATURE CAN BE EASILY AND RESPONSIVELY CONTROLLED. WHEN USED AS AN OUTDOOR HEATER, BY SIMPLY LETTING MORE AIR INTO THE CHAMBER, THE CONSIDERABLE HEAT OUTPUT WILL BE EFFECTIVE ENOUGH TO KEEP A LARGE GROUP WARM WHATEVER THE WEATHER.



To find out more, visit chesneys.co.uk/outdoor
or call 020 3177 4230



A NEW OUTDOOR COOKING EXPERIENCE

THE **HEAT** COLLECTION OFFERS A VERSATILE AND EASY WAY TO COOK FOOD ON EITHER CHARCOAL OR WOOD WITH GREAT RESULTS AND SATISFYINGLY LITTLE SMOKE

Cooking on charcoal and wood is widely recognised in the culinary world as a highly effective way to impart flavour into food, with growing numbers of chefs across the world choosing to cook on open flames.

We wanted to create an appliance which worked as a fantastic barbecue as well as an environmentally-friendly and easily controlled outdoor heater. It was the addition of a steel baffle plate that enabled us to achieve both

objectives without compromising on heat production in either the heating or cooking mode.

The baffle moves from the upright position to sit in front of the glass, re-directing the heat upwards towards the grill and very importantly also acts as a shield to protect your body from the high temperatures inside.

All four heater barbecues can be lit and brought up to temperatures of around

300°C in just 20 minutes and achieve top temperatures of 600°C. The fully insulated, thermal rotation lid means that with the lid closed, the barbecue will work as an outdoor oven sealing in the heat and keeping the food succulent and tender.

The ease of use and reliability of the products will appeal to the weekend barbecue enthusiast as well as the ambitious outdoor chef.



SIX COOKING METHODS TO EXPERIMENT WITH

GRILLING

Cook a steak in minutes or rustle up some grilled fish or seafood in an instant using low temperatures with either direct or indirect heat.

BAKING

Bake some bread or biscuits with the ability to maintain a constant heat and effective thermal rotation lid sealing in the heat, just like an oven.

ROASTING

Roast an impressive joint of beef or a chicken, adjusting the height of the grill by a simple rotation to ensure enough room for cooking with the lid down, resulting in tasty meat, staying moist for hours.

SMOKING

Impart the flavour of charcoal or wood by using indirect heat for a delicious smoky flavour and tender meat.

WOK COOKING

Take the wok outside and cook a sizzling stir-fry with the indirect heat of the fire.

PIZZA

Place a pizza stone on the grill, your choice of pizza on the stone, close the lid and achieve perfect crispness in just a few minutes.

After cooking the unit will self-clean if put into heating mode.



To find out more, visit chesneys.co.uk/outdoor or call 020 3177 4230



JAMES MARTIN

COOKS ON **HEAT**

“Chesneys’ new Heater Barbecue is brilliant. It provides a unique degree of temperature control, ease of use and variety of cooking modes for mastering different recipes. It’s fast to light and emits very little smoke.

Given the choice I wouldn’t cook on any other barbecue.”

James Martin



THE EXPERT

James Martin is one of the most respected and widely recognised chefs in the UK today. He has become known for his passion for British food through his creation of simple, delicious recipes which are accessible to all.

With numerous cookbooks, awards and TV appearances – a ten-year spell on BBC Saturday Kitchen being the most notable – he has firmly established himself as a major influencer in the culinary world.

To find out more, visit chesneys.co.uk/outdoor or call 020 3177 4230

BUILT TO LAST

PROPERLY MAINTAINED **HEAT** WILL DELIVER A DEPENDABLE AND SAFE SOURCE OF HEATING AND VERSATILE EASY COOKING FOR YEARS TO COME

The Heat Collection not only delivers great performance and environmental standards but also offers a 5-year Guarantee.

Like all Chesneys products, the collection is built to the highest technical specifications using the finest quality materials.

PROTECTING THE ENVIRONMENT

Due to directional air supply, there is significantly less smoke produced, than by other solid fuel outdoor heating and cooking products. A short flue pipe directs what little smoke

there is, away from the unit and those around it.

5-YEAR GUARANTEE

Five Years for the bodies of the appliance. One Year all non-consumable body parts.

HEATING

The heater operates in the same way as a wood burning stove with a single lever to control air flow into the chamber and subsequently the level of heat generated.

The glass door allows the fuel to be replenished with ease, with the glow of the flames being always visible.

COOKING

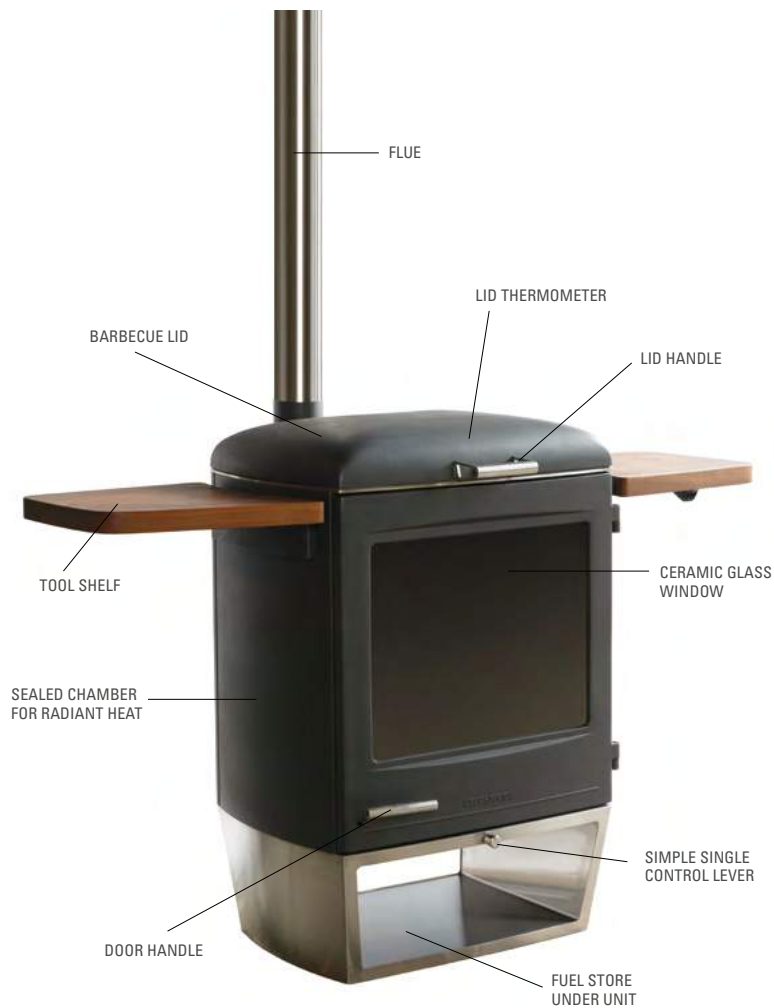
The movement of a steel baffle plate inside the chamber changes the appliance from heating mode into cooking mode in minutes.

The combustion technology used in our range of indoor wood burning stoves has been adapted to provide a degree of temperature control that is uniquely sensitive and responsive to a barbecue.



MAINTENANCE

CHESNEYS' INVALUABLE INFORMATION SHEETS, GUIDES AND MANUALS, ARE AVAILABLE TO DOWNLOAD, VISIT CHESNEYS.CO.UK/OUTDOOR

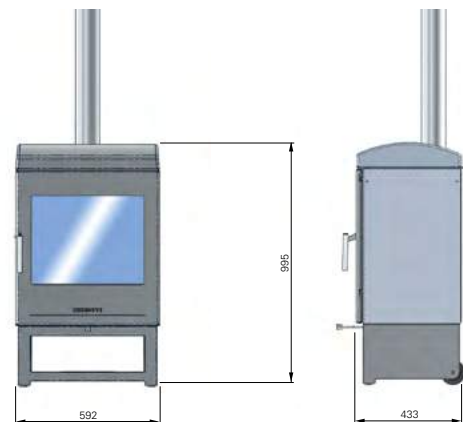


To find out more, visit chesneys.co.uk/outdoor or call 020 3177 4230

DETAILS & DIMENSIONS

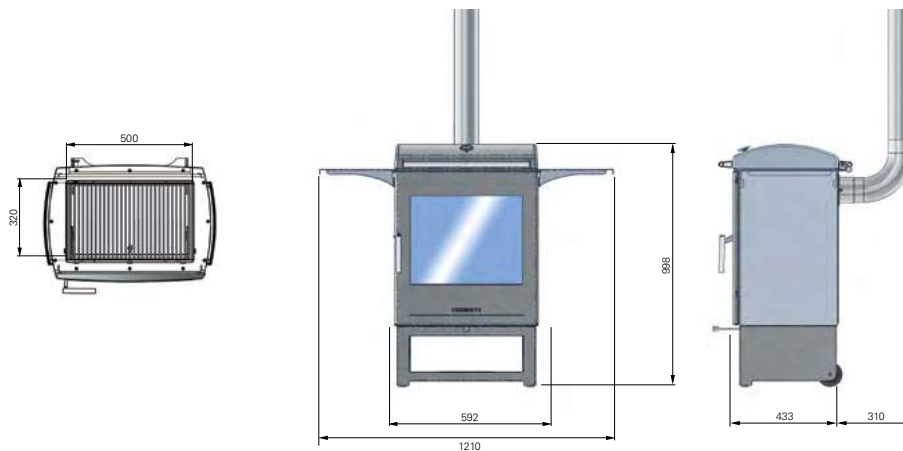
CLEAN BURN OUTDOOR HEATER

WEIGHT 107KG



HEAT & GRILL

WEIGHT 116KG

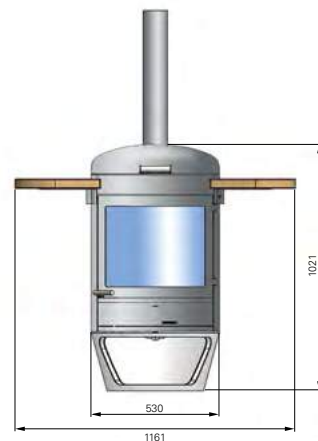


To find out more, visit chesneys.co.uk/outdoor
or call 020 3177 4230

DETAILS & DIMENSIONS

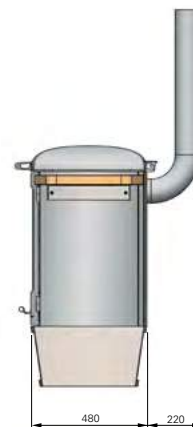
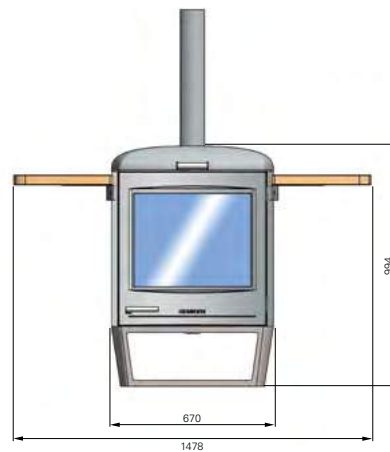
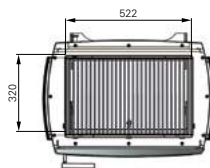
TERRACE GOURMET

WEIGHT 115KG



GARDEN GOURMET

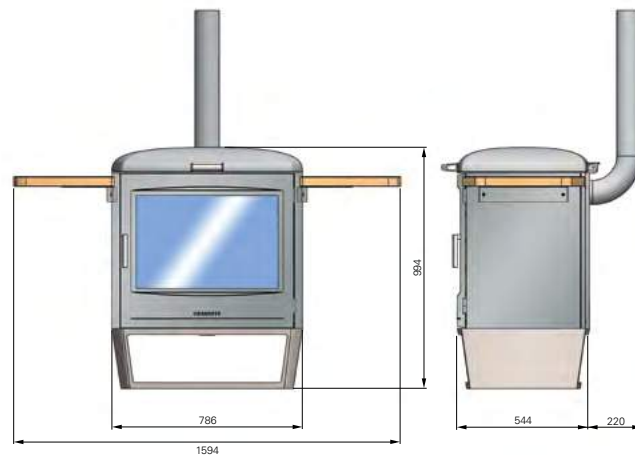
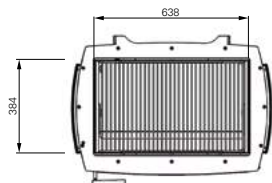
WEIGHT 175KG



DETAILS & DIMENSIONS

GARDEN PARTY

WEIGHT 215KG



To find out more, visit chesneys.co.uk/outdoor
or call 020 3177 4230

Chesneys pursues a policy of continuing improvement in design and performance of its products.
The right is therefore reserved to vary specifications without notice.

© Chesneys 2019



CHESNEYS

Showrooms

194-204 Battersea Park Road,
London SW11 4ND

Telephone 020 7627 1410

Email sales@chesneys.co.uk

147-151 Haverstock Hill,
London NW3 4QU

Telephone 020 7561 8280

Email sales@chesneys.co.uk

For details of UK nationwide stockists:

Telephone 020 3177 4200

Email stockists@chesneys.co.uk

www.chesneys.co.uk

Social



Twitter: [@chesneysltd](https://twitter.com/chesneysltd)



Facebook: [@chesneyslondon](https://www.facebook.com/chesneyslondon)



Instagram: [@chesneyslondon](https://www.instagram.com/chesneyslondon)